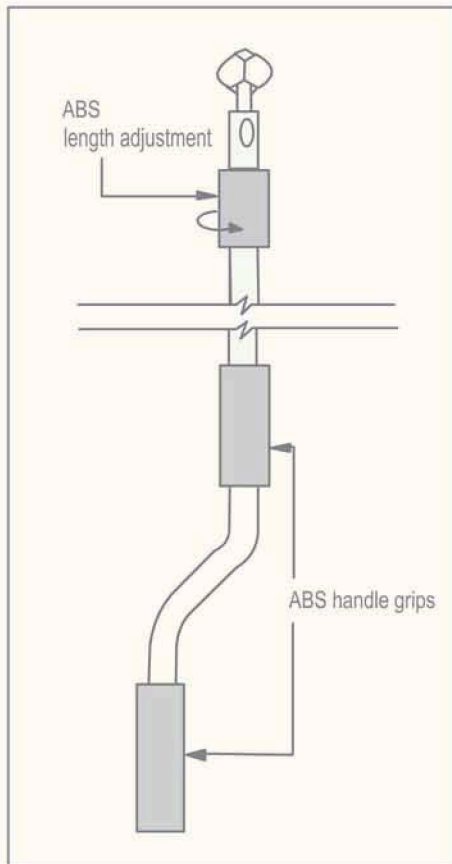
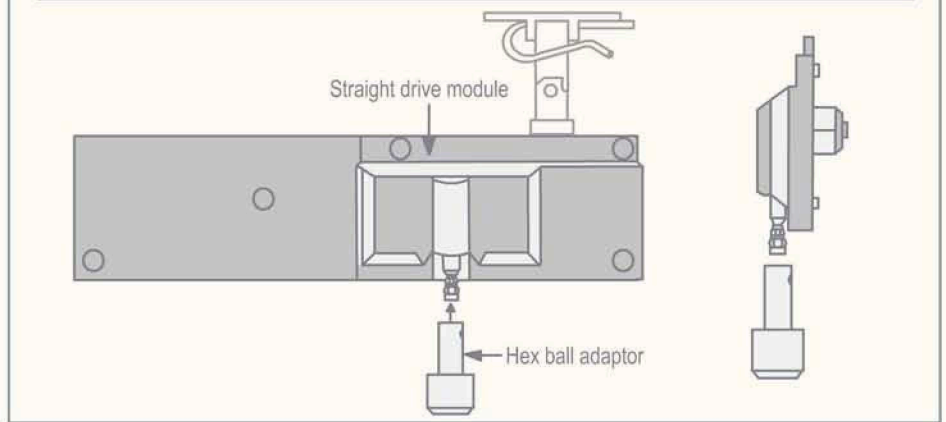
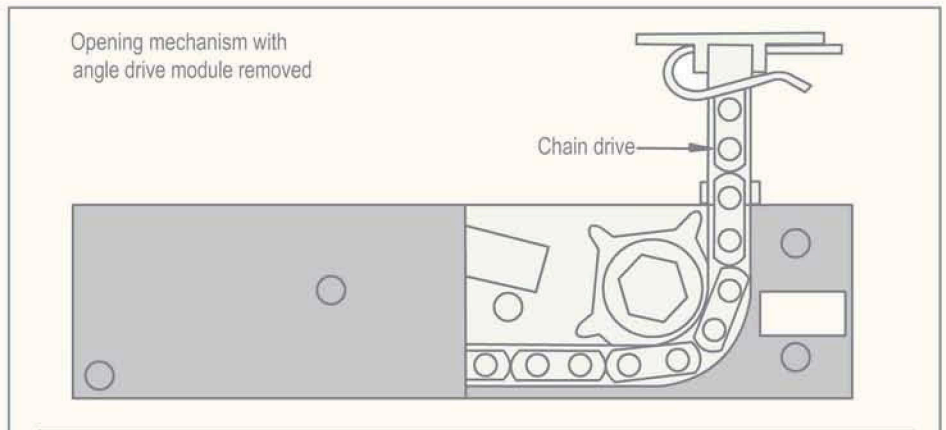
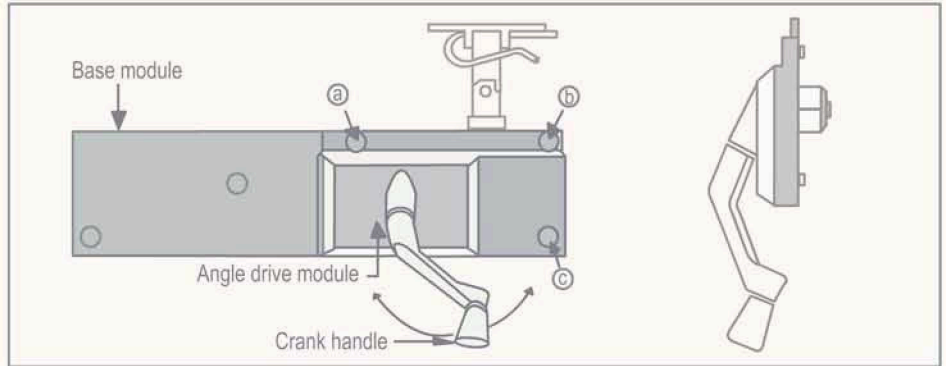


# POLE OPERATED ROOF WINDOW

Your new Columbia roof window includes a crank handle mechanism to open and close the window sash.

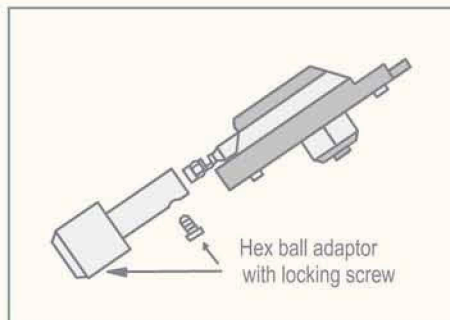
In order to convert to a pole operated opening mechanism, proceed with the following steps:

- 1 Open roof window a minimum of 8" to provide clearance for screen removal.
- 2 Remove screen.
- 3 Return roof window to closed position.
- 4 Remove angle drive module by removing screws a, b, and c.
- 5 Replace angle drive module with straight drive module into identical location and replace screws a, b, and c. Your Columbia roof window can now be pole operated.



## TELESCOPING POLE

Your new Columbia pole operator is the finest quality available today and features an adjustable length from 6' to 10'. It also includes an anodized aluminum finish and durable ABS hand grips and length adjustment for smooth trouble free operation.



1-888-2-Herman  
www.HBCI.ca

St. Catharines - Port Colborne - Hamilton - London - Sarnia - Kitchener - Oakville